

# ARINC 801 Technology

High Speed Fiber Optics Single and Multimode



# ARINC 801 Technology

High Speed Fiber Optics Single and Multimode



## Single terminus design for all connector formats

The ARINC 801 fiber optic terminus is the next generation of butt-joint interconnect technology allowing for higher density multichannel connectors to be achieved.

With its standard 1.25 mm ferrule and sleeve, the ARINC 801 terminus is designed for both multimode and singlemode applications and is compatible with standard LC termination processes. The terminus is available both as a pull-proof design and a general use design for tight jacketed cable.

For the pull-proof design, the cable jacket is crimped on an external body and a floating mechanism avoids any loss of performance when pulling on the cable. This feature allows for the use of the connector without a backshell.

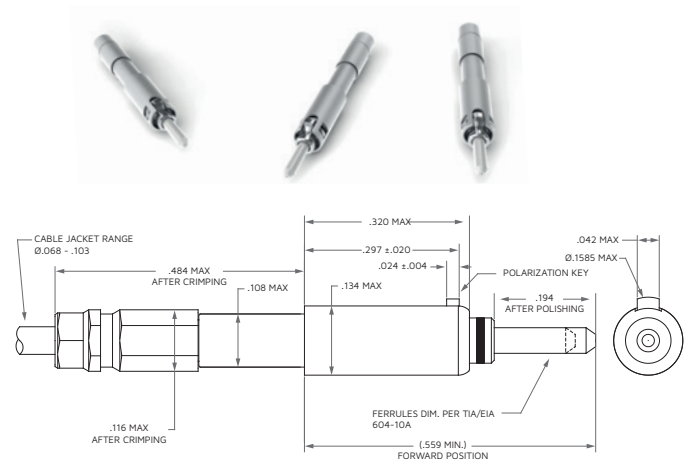
## Features & Benefits

- **Low loss, low back reflection**
  - Return loss  $-50$  dB singlemode
  - Low insertion loss 0.3 dB max mated pair
- **General use design (no strain relief backshell needed)**
- **Optical disconnect style available**
- **PC, UPC or APC ferrule endface**
- **Genderless design (same contact on both sides of the connector)**
- **Compatible with multimode and singlemode fiber**
- **Standard 1.25 mm ferrule and sleeve**
- **Cable termination identical to LC connector process**
- **Easy cleaning access to the contact through removable alignment sleeve retainer**
- **Standard MIL-DTL-38999 and ARINC 600 Size 16 insertion/removal tool**

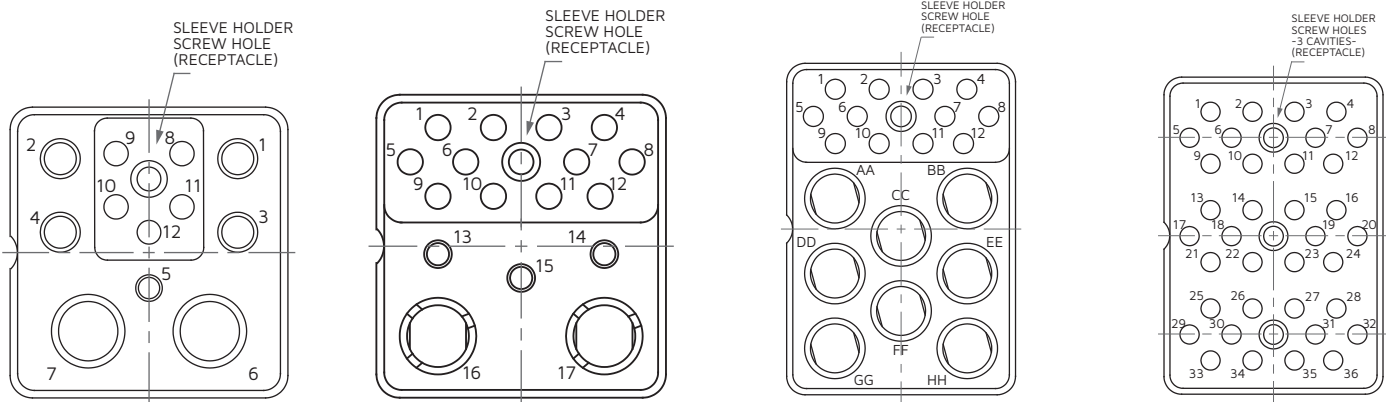
# Size 16 ARINC 801 Terminus Contacts and Insert Arrangements

## Size 16 ARINC 801 Contact

Part Number	Mode	Style	Polish
238500-8000	Multi	Pull Proof Loose Jacket	PC
238500-8001	Multi	Tight Jacket	PC
238500-8002	Single	Pull Proof Loose Jacket	PC
238500-8003	Single	Pull Proof Loose Jacket	APC
238500-8004	Single	Tight Jacket	PC
238500-8005	Single	Tight Jacket	APC



## ARINC 600 Insert Arrangements



12F5C2

17F12Q2

20F12T8/20F12Q8

36F36

QTY	Size	Contact	Cavity ID
4	12	Electrical	1 to 4
1	16	Electrical	5
2	5	Quadrax	6 to 7
5	16	Optical Termini	8 to 12

QTY	Size	Contact	Cavity ID
12	16	Optical Termini	1 to 12
3	16	Electrical	13 to 15
2	8	Quadrax	16 to 17

QTY	Size	Contact	Cavity ID
12	16	Optical Termini	1 to 12
8	8	Twinax/Quadrax	AA to HH

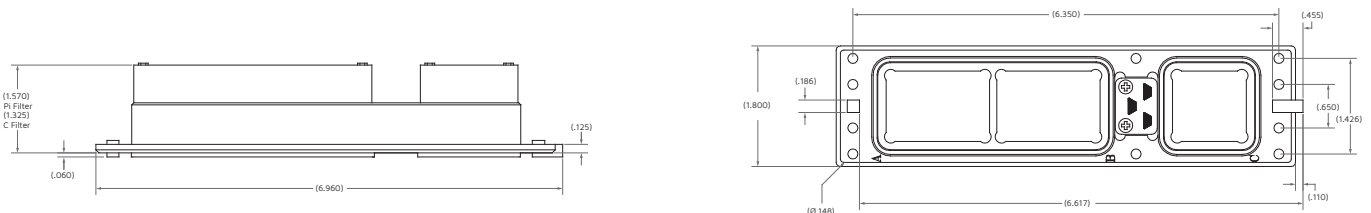
QTY	Size	Contact	Cavity ID
36	16	Optical Termini	1 to 36

## Connector Shells

### Specifications & Dimensions

#### ARINC 600 Shell Size 2

Please contact Sales and consult our "High Speed Rack & Panel Connectors" catalog for availability and ordering information.



# Worldwide Support

## Connectors

### Americas

#### Sales

connectors.uscsr@smithsinterconnect.com

#### Technical Support

connectors.ustechsupport@smithsinterconnect.com

### Europe

#### Sales

connectors.emeacsr@smithsinterconnect.com

#### Technical Support

connectors.emeatechsupport@smithsinterconnect.com

### Asia

#### Sales

asiacsr@smithsinterconnect.com

#### Technical Support

asiatechsupport@smithsinterconnect.com

## Fiber Optics & RF Components

### Americas

#### Sales

focom.uscsr@smithsinterconnect.com

#### Technical Support

focom.techsupport@smithsinterconnect.com

### Europe

#### Sales

focom.emeacsr@smithsinterconnect.com

#### Technical Support

focom.techsupport@smithsinterconnect.com

### Asia

#### Sales

focom.asiacsr@smithsinterconnect.com

#### Technical Support

focom.techsupport@smithsinterconnect.com

## Semiconductor Test

### Americas

#### Sales

semi.uscsr@smithsinterconnect.com

#### Technical Support

semi.techsupport@smithsinterconnect.com

### Europe

#### Sales

semi.emeacsr@smithsinterconnect.com

#### Technical Support

semi.techsupport@smithsinterconnect.com

### Asia

#### Sales

semi.asiacsr@smithsinterconnect.com

#### Technical Support

semi.techsupport@smithsinterconnect.com

## RF/MW Subsystems

### Americas, Europe & Asia

#### Sales

subsystems.csr@smithsinterconnect.com

#### Technical Support

subsystems.techsupport@smithsinterconnect.com

## Connecting Global Markets

more > [smithsinterconnect.com](https://www.smithsinterconnect.com) | [in](#) [twitter](#) [youtube](#)