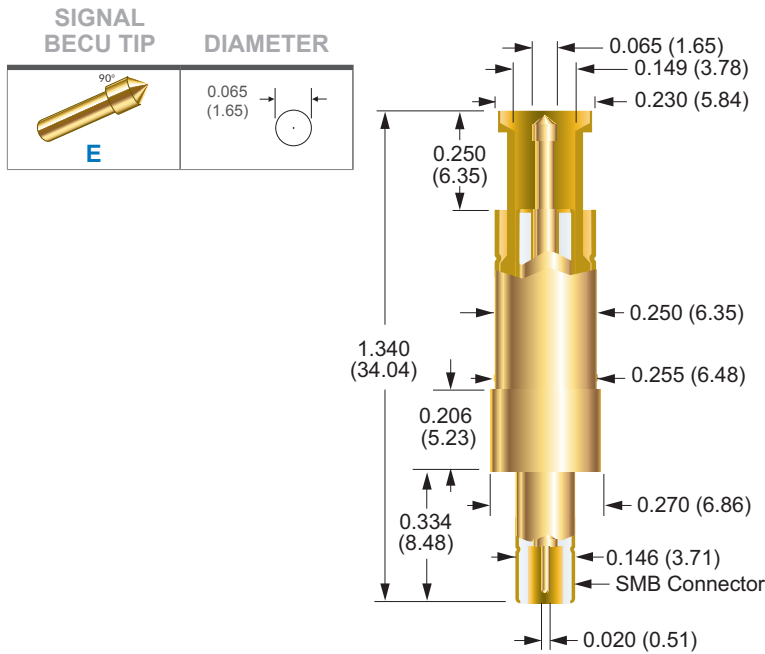


► **100563 COAX SERIES**

0.300 (7.62) Centers | SMB Connector



PROBE SPECIFICATIONS

Minimum Centers	0.300 (7.62)
Current Rating	3 A continuous
Spring Force	Signal Conductor: 2.30 oz (65 g) @ 0.107 (2.72) travel Shielding Plunger: 5.80 oz (164 g) @ 0.107 (2.72) travel
Nominal Impedance	50 Ω
Maximum Travel	0.170 (4.32)
Working Travel	0.107 (2.72)

MATERIALS

Barrel Spring	Brass, gold plated Signal Conductor: Beryllium copper, gold plated Shielding Plunger: Stainless steel, gold plated
Shielding Plunger	Brass, gold plated
Dielectric Insulator	Teflon
Shielding Tube	Stainless steel, gold plated
Signal Conductor	100954

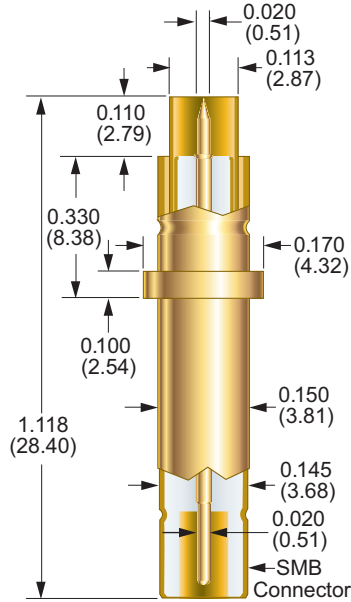
HOW TO ORDER

100563 - E	
1 2	
1 ► BASE PART NUMBER	100563
2 ► SIGNAL TIP STYLE	E

► 100559 & 100910 COAX SERIES

0.300 (7.62) Centers | SMB Connector

SIGNAL BECU TIPS		DIAMETER	
	B	0.020 (0.51)	
	ES	0.046 (1.17)	
SHIELDING BECU TIPS		DIAMETER	
	N	0.113 (2.87)	
	S	0.113 (2.87)	



PROBE SPECIFICATIONS

Minimum Centers	0.300 (7.62)
Current Rating	3 A continuous
Spring Force	Signal Conductor: 1.60 oz (45 g) @ 0.070 (1.78) travel (<i>tip B</i>) 2.00 oz (57 g) @ 0.070 (1.78) travel (<i>tip ES</i>) Shielding Plunger: 4.30 oz (122 g) @ 0.070 (1.78) travel
Nominal Impedance	50 Ω
Maximum Travel	0.090 (2.29) (<i>tip B</i>) 0.075 (1.91) (<i>tip ES</i>)
Working Travel	0.070 (1.78)

MATERIALS

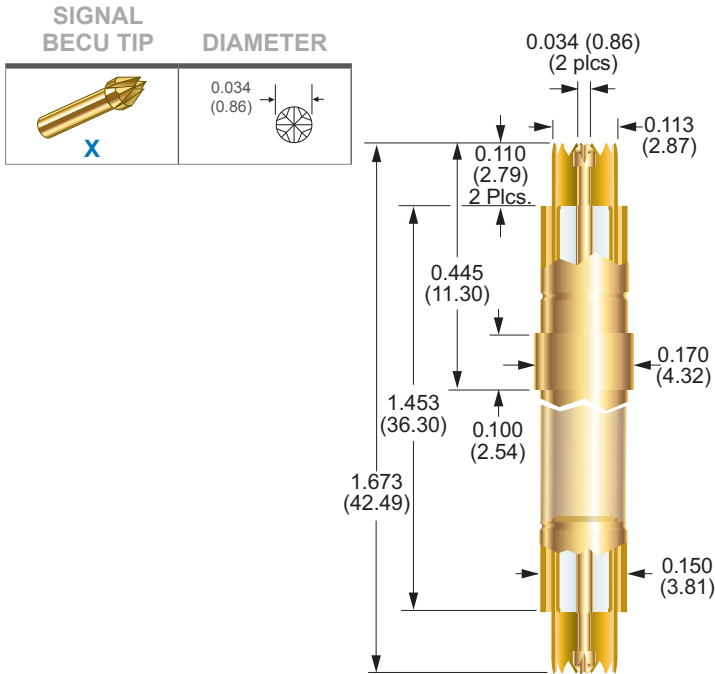
Barrel	Brass, gold plated
Spring	Signal Conductor: Beryllium copper, gold plated Shielding Plunger: Stainless steel, gold plated
Shielding Plunger	Beryllium copper, gold plated
Dielectric Insulator	Teflon
Shielding Tube	Brass, gold plated
Signal Conductor	Series S, Size 00

HOW TO ORDER

	100559 - B - S	
	1	2 3
1 ► BASE PART NUMBER	100559 (<i>w/out flange</i>)	100910 (<i>w/ flange</i>)
2 ► SIGNAL TIP STYLE	B, ES	
3 ► SHIELDING PLUNGER	S SERRATED	N FLAT

► **101097 COAX SERIES**

0.200 (5.08) Centers | Double-Ended & Attached Cable



PROBE SPECIFICATIONS

Minimum Centers	0.200 (5.08)
Current Rating	3 A continuous
Spring Force	Signal Conductor: 1.60 oz (45 g) @ 0.037 (0.94) travel, each end Shielding Plunger: 3.40 oz (96 g) @ 0.037 (0.94) travel, each end
Nominal Impedance	50 Ω
Maximum Travel	0.075 (1.91) each end
Working Travel	0.037 (0.94) each end

MATERIALS

Barrel	Brass, gold plated
Spring	Stainless steel, gold plated
Shielding Plunger	Beryllium copper, gold plated
Dielectric Insulator	Teflon
Shielding Tube	Brass, gold plated
Signal Conductor	100617-000 probe

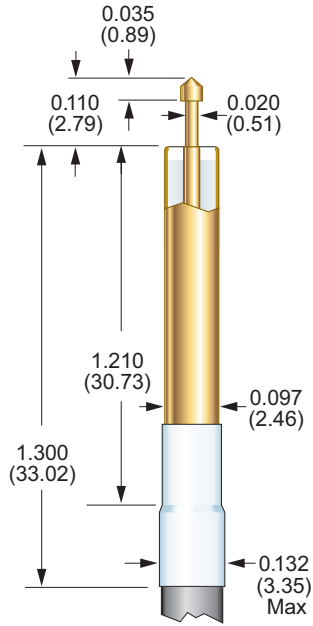
HOW TO ORDER

101097 - X - X	
1 2 3	
1 ► BASE PART NUMBER	101097
2 ► TOP SIGNAL TIP STYLE	X
3 ► BOTTOM SIGNAL TIP STYLE	X

► 100526 COAX SERIES

0.150 (3.18) Centers | Double-Ended & Attached Cable

SIGNAL BECU TIPS	DIAMETER
B	0.020 (0.51)
ES	0.046 (1.17)
H	0.035 (0.89)
J	0.020 (0.51)
U	0.020 (0.51)



PROBE SPECIFICATIONS

Minimum Centers	0.150 (3.18)
Current Rating	3 A continuous
Spring Force	Signal Conductor: 1.60 oz (45 g) @ 0.070 (1.78) travel (<i>tips B, J, U</i>) 2.00 oz (57 g) @ 0.070 (1.78) travel (<i>tips ES, H</i>)
Nominal Impedance	50 Ω
Maximum Travel	0.090 (2.29) (<i>tips B, J, U</i>) 0.075 (1.91) (<i>tips ES, H</i>)
Working Travel	0.070 (1.78)

MATERIALS

Spring	Beryllium copper, gold plated
Dielectric Insulator	Teflon
Shielding Tube	Brass, gold plated
Signal Conductor	Series S, Size 00 probe
Coaxial Cable	RG 316

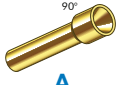
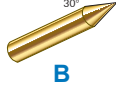


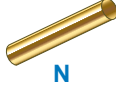

HOW TO ORDER

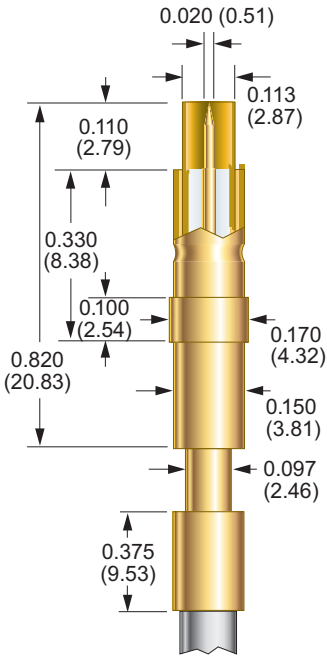
100526 - ES - 12 - AM	
	1 2 3 4
1 ► BASE PART NUMBER	100526
2 ► SIGNAL TIP STYLE	B, ES, H, J, U
3 ► CABLE LENGTH	12 IN. 36 IN.
4 ► TERMINATION	NC NO CONNECTOR AM SMA MALE AF SMA FEMALE

*When ordering with a preattached connector, please note that the connector will not fit through the probe mounting hole. The probe must be inserted from the bottom side of the mounting plate.
Dimensions are in inches (mm) | All specifications are subject to change

► **100445 & 100746 COAX SERIES**

0.200 (5.08) Centers | Attached Cable

SIGNAL PLUNGER BECU TIPS	DIAMETER
 A	0.035 (0.89)
 B	0.020 (0.51)
 ES	0.046 (1.17)
 H	0.035 (0.89)
SHIELDING PLUNGER BECU TIPS	DIAMETER
 N	0.113 (2.87)
 S	0.113 (2.87)



PROBE SPECIFICATIONS

Minimum Centers	0.200 (5.08)
Current Rating	3 A continuous
Spring Force	Signal Conductor: 1.60 oz (45 g) @ 0.070 (1.78) travel (<i>tip B</i>) 2.00 oz (57 g) @ 0.070 (1.78) travel (<i>tips A, ES, H</i>) Shielding Plunger: 4.30 oz (122 g) @ 0.070 (1.78) travel
Nominal Impedance	50 Ω
Maximum Travel	0.090 (2.29) (<i>tip B</i>) 0.075 (1.91) (<i>tips A, ES, H</i>)
Working Travel	0.070 (1.78)

MATERIALS

Barrel	Brass, gold plated
Spring	Signal Conductor: Beryllium copper, gold plated Shielding Plunger: Stainless steel, gold plated
Shielding Plunger	Beryllium copper, gold plated
Dielectric Insulator	Teflon
Shielding Tube	Stainless steel, gold plated
Signal Conductor	Series S, Size 00 probe
Crimp Ferrule	Brass, gold plated
Coaxial Cable	100445: RG 174U 100746: RG 316

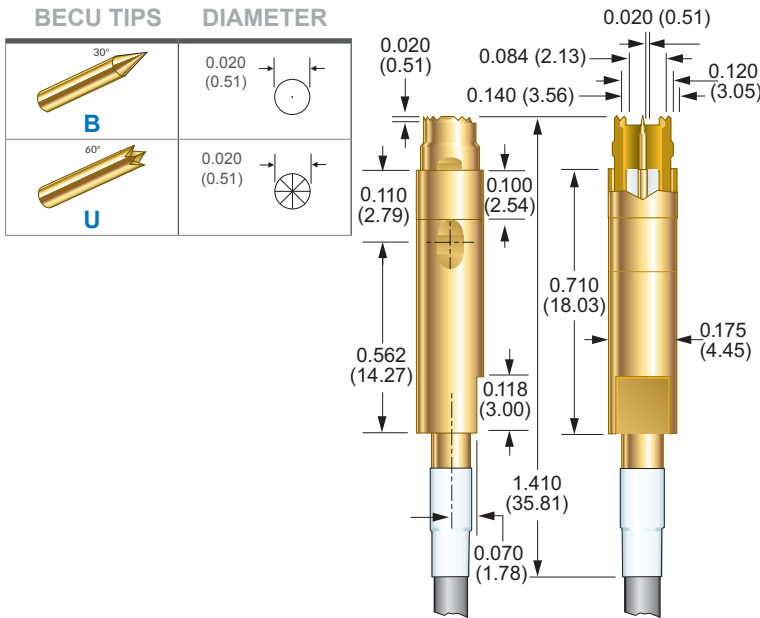
HOW TO ORDER

100445 - B - N - F - 12 - AM	
	1 2 3 4 5 6
1 ► BASE PART NUMBER	100445 100746
2 ► SIGNAL TIP STYLES	A, B, ES, H
3 ► MOUNTING FLANGE	N WITHOUT FLANGE F WITH FLANGE
4 ► SHIELDING PLUNGER	S SERRATED N FLAT
5 ► CABLE LENGTH	12 IN. 36 IN.
6 ► TERMINATION	AM SMA MALE AF SMA FEMALE NC NO CONNECTOR

*When ordering with a preattached connector, please note that the connector will not fit through the probe mounting hole. The probe must be inserted from the bottom side of the mounting plate. Dimensions are in inches (mm) | All specifications are subject to change

▶ 100999 COAX SERIES

0.200 (5.08) Centers | Attached Cable



PROBE SPECIFICATIONS

Minimum Centers	0.200 (5.08)
Current Rating	3 A continuous
Spring Force	Signal Conductor: 1.60 oz (45 g) @ 0.070 (1.78) travel (<i>tip B</i>) 3.30 oz (93 g) @ 0.070 (1.78) travel (<i>tip U</i>) Shielded Plunger: 4.50 oz (127 g) @ 0.070 (1.78) travel
Nominal Impedance	50 Ω
Maximum Travel	0.090 (2.29)
Working Travel	0.070 (1.78)

MATERIALS

Barrel	Brass, gold plated
Spring	Signal Conductor: Beryllium copper, gold plated Shielding Plunger: Stainless steel, gold plated
Shielding Plunger	Beryllium copper, gold plated
Dielectric Insulator	Teflon
Shielding Tube	Brass, gold plated
Signal Conductor	Series S, Size 00 probe
Coaxial Cable	Semi-flex or flex cable

HOW TO ORDER

1 0 0 9 9 9 - ES - 1 2 - AM - F	
1 2 3 4 5	
1 ▶ BASE PART NUMBER	1 0 0 9 9 9
2 ▶ SIGNAL TIP STYLE	B, U
3 ▶ CABLE LENGTH	1 2 IN. 3 6 IN.
4 ▶ TERMINATION	AM SMA MALE AF SMA FEMALE NC NO CONNECTOR
5 ▶ CABLE TYPE	F FLEX S SEMI-FLEX

*When ordering with a preattached connector, please note that the connector will not fit through the probe mounting hole. The probe must be inserted from the bottom side of the mounting plate.
Dimensions are in inches (mm) | All specifications are subject to change