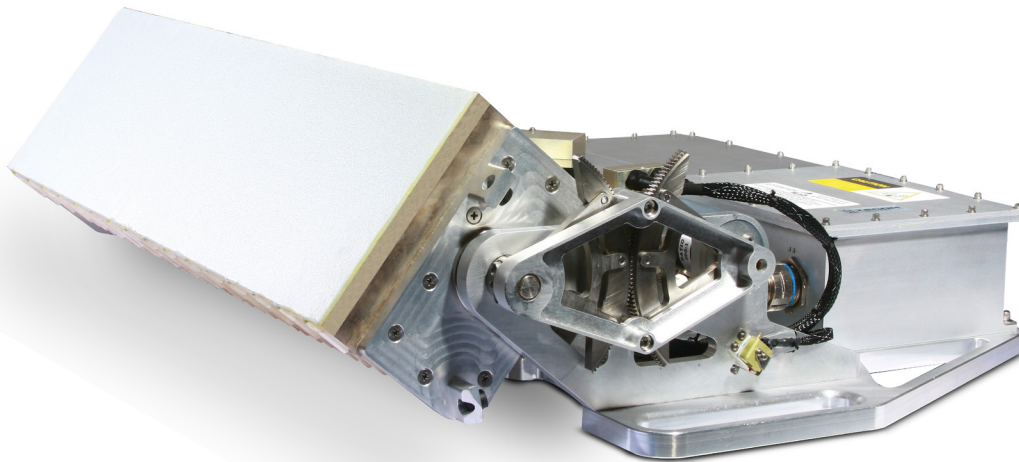
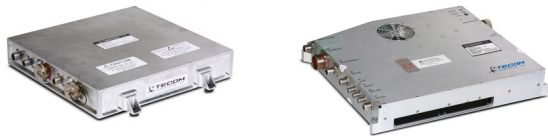
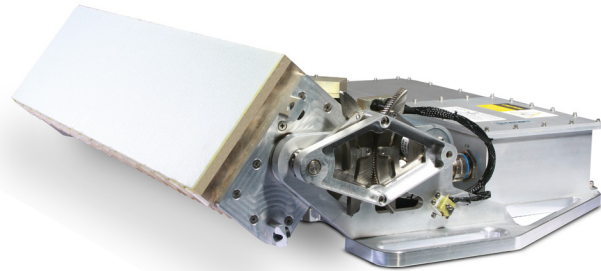


 **KuSTREAM**[®]
1000

The Standard in Performance and Value



KuStream® 1000 ANTENNA SYSTEM



Integrated 4 LRU solution

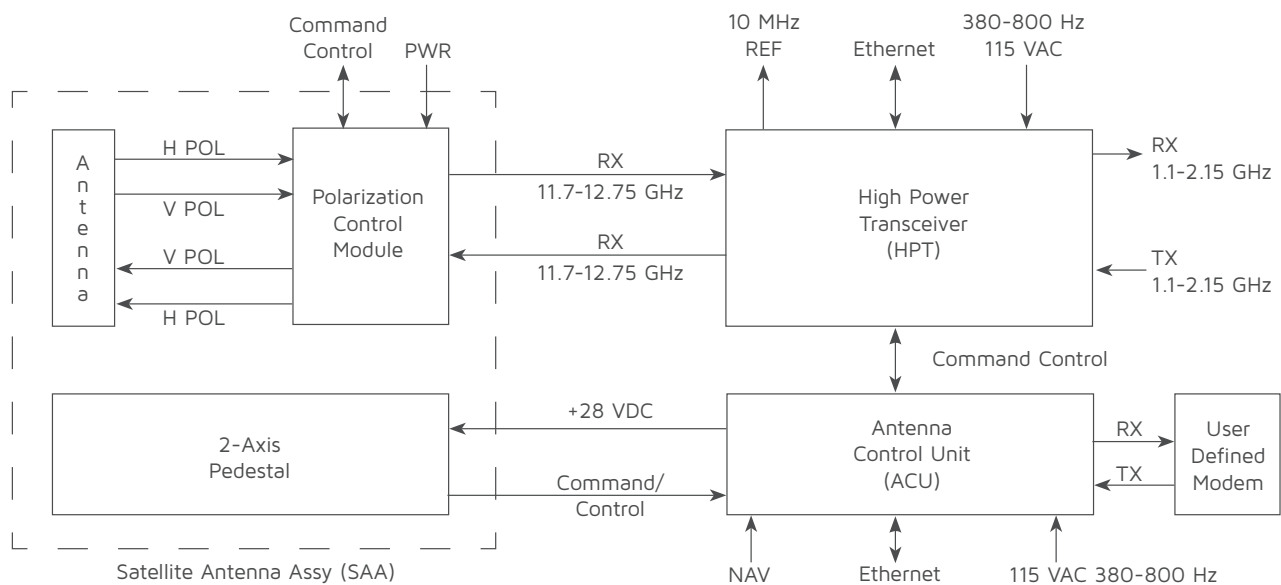
- Satellite Antenna Assembly (SAA)
- Antenna Control Unit (ACU)
- High Power Transceiver (HPT)
- Modem agnostic (customer selected)

The industry-leading Ku broadband antenna system for in-flight connectivity

Features & Benefits

- Superior antenna system performance in transmit and receive
- Enables maximum Ku-band satellite network data rates
- Industry-leading geographical skew angle range
- Maximizes satellite footprint usage, resulting in fewer satellites required for network operation, therefore reducing cost
- Novel antenna pointing and tracking solution
- Full compliance with stringent FCC regulatory standards
- Well-proven and successful
- Serving millions of passengers worldwide
- Connecting passengers nonstop gate-to-gate
- Operates on global Ku-band networks and new HTS satellites
- Large install base with commercial and military variants
- Easily adaptable to most commercially available modems

Block Diagram, U.S. Configuration Only



Technical Characteristics

Satellite Antenna Assembly (SAA)

- Precision horn array aperture with integrated feeding network
- Dual linear polarizations (co-pol or cross-pol), integrated diplexer architecture
- Two-axis pedestal

Transmit frequency	13.75-14.5 GHz
Receive frequency	10.7-12.75 GHz
Receive G/T	11.8 dB/K @ 11.7 GHz
Transmit EIRP	Up to 42.5 dBW (depending on service providing scheme and coverage)
Azimuth gain pattern	Complies with 47 CFR 25.209 up to geographic skew angles of at least ±35°
Azimuth EIRP spectral density pattern	Complies with 47 CFR 25.222
Pedestal positioning range	Elevation: 0° to +90°; Azimuth: 0-360° continuous
Tracking accuracy	<0.2°
Dimensions	8.0 x 32.0 inches (H x D, swept volume)
Weight	96 lbs

High Power Transceiver (HPT)

- Block up converter
- Block down converter
- High power amplifier
- Single chassis configuration

Transmit power	up to 25 Watts
Power	115 VAC, 380-800 Hz, <300W
Dimensions	2.5 x 17.5 x 13.6 inches (H x W x L)
Mounting	Inside fuselage



Antenna Control Unit (ACU)

- Interfaces with aircraft for navigation information
- Provides antenna positioning command and control
- Controls HPT

Power	115 VAC, 47-800 Hz, <150W
Dimensions	2.5 x 14.0 x 14.7 inches (H x W x L)
Mounting	Inside fuselage



System Specifications

Total system current requirements	6 Amps
Total system power requirements	700W
Mean Time Between Failure (MTBF)	30,000 hrs (SAA + ACU) 15,000 hrs (HPT)
Environmental Qualification	RTCA/DO-160 E

Global Support

UK Headquarters

- London, UK
+44 20 7004 1600
info.uk@smithsinterconnect.com

US Headquarters

- Stuart, FL
+1 772 286 9300
info.us@smithsinterconnect.com

Americas

- Costa Mesa, CA
+1 714 371 1100
info.us@smithsinterconnect.com
- Milpitas, CA
+1 949 250 1244
info.us@smithsinterconnect.com
- Stuart, FL
+1 772 286 9300
info.us@smithsinterconnect.com
- Hudson, MA
+1 978 568 0451
info.us@smithsinterconnect.com
- Northampton, MA
+1 413 582 9620
info.northamptonsmithsinterconnectinc.com
- Tampa, FL
+1 813 901 7200
info.tampa@smithsinterconnectinc.com
- Kansas City, KS
+1 913 342 5544
info.us@smithsinterconnect.com
- Salisbury, MD
+1 800 780 2169
info.us@smithsinterconnect.com
- Thousand Oaks, CA
+1 805 267 0100
info.thousandoaks@smithsinterconnectinc.com

Europe

- Deggendorf, Germany
+49 991 250 120
info.de@smithsinterconnect.com
- Genova, Italy
+39 0 10 60361
info.it@smithsinterconnect.com
- Dundee, UK
+44 1382 427 200
info.dundee@smithsinterconnect.com
- Rouen, France
+33 2 32 96 91 76
info.fr@smithsinterconnect.com
- Elstree, UK
+44 20 8236 2400
info.uk@smithsinterconnect.com

Asia

- Shanghai, China
+86 21 3318 4650
asiainfo@smithsinterconnect.com
- Suzhou, China
+86 512 6273 1188
asiainfo@smithsinterconnect.com
- Singapore
+65 6846 1655
asiainfo@smithsinterconnect.com

more > smithsinterconnect.com | [in](#) [twitter](#) [G+](#) [youtube](#)