

**TITLE: SPECIFICATION CONTROL DRAWING**

**PART IDENTIFIER:** CT1005F

**DESCRIPTION:** HIGH POWER CHIP TERMINATION, BERYLLIA, LEAD FREE PLATING.

**ASSEMBLY DWG:** 1101754

**1.0 SPECIFICATIONS:**

- 1.1 ELECTRICAL:
  - 1.1.1 IMPEDANCE: 50Ω NOMINAL.
  - 1.1.2 FREQUENCY: DC - 4 GHZ.
  - 1.1.3 VSWR: 1.25:1 MAX.
  - 1.1.4 INPUT POWER:
    - 1.1.4.1 HEAT SINK 100°C: 15 WATTS. (DERATE POWER LINEARLY TO 0 WATTS @ 125°C)
- 1.2 MECHANICAL:
  - 1.2.1 OUTLINE DWG: SEE SHEET 2.
  - 1.2.2 WORKMANSHIP: PER MIL-STD-454, REQUIREMENT 9.
- 1.3 ENVIRONMENTAL:
  - 1.3.1 TEMPERATURE RANGE:
    - 1.3.1.1 NON-OPERATING: -55°C TO +150°C.
    - 1.3.1.2 OPERATING: -55°C TO +125°C.

**2.0 UNIT MARKING:** NONE.

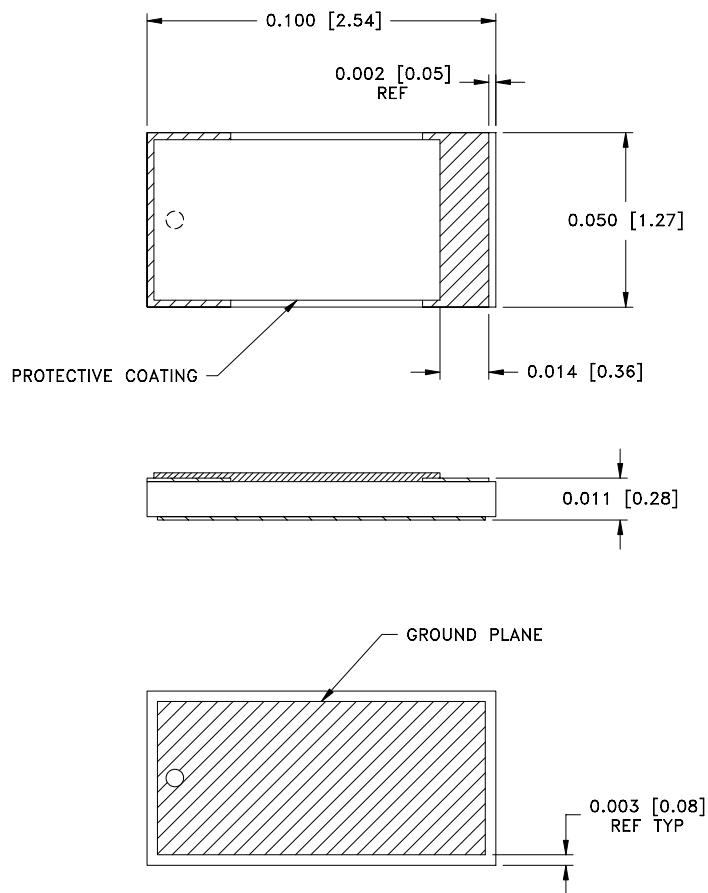
**3.0 QUALITY ASSURANCE:**

- 3.1 SAMPLE INSPECT PER ANSI/ASQC Z1.4 GENERAL INSPECTION, LEVEL II, AQL = 1.0.
  - 3.1.1 VISUAL AND MECHANICAL PER 824W154.
- 3.2 100% DC RESISTANCE CHECK (GO/NO GO): 50Ω ± 5%.
- 3.3 DATA REQUIREMENTS:
  - 3.3.1 NO TEST DATA REQUIRED.
  - 3.3.2 DATA RETENTION - STANDARD.

**4.0 PACKAGING:** STANDARD BULK PACKING PER 755W002.

<b>EMC TECHNOLOGY</b> 8851 SW OLD KANSAS AVE. STUART, FL 34997	<b>CAGE CODE # 24602</b>		<b>DWG #</b>	1010285000
	<b>CHANGE NOTICE</b>	EN 08-E0534	<b>REV LVL</b>	A
			<b>SHEET</b>	1 <u>OF</u> 2


PART ID REF
CT1005F



**MECHANICAL SPECIFICATION:**

SUBSTRATE:  
 MATERIAL - BERYLLIA, ASTM F356.  
 TERMINAL & GROUND PLANE:  
 MATERIAL - THICK FILM, LEAD FREE PLATING.  
 ROHS COMPLIANT.  
 RESISTIVE ELEMENT:  
 MATERIAL - THICK FILM.

METRIC EQUIVALENTS GIVEN IN [mm]  
 ARE FOR REFERENCE INFORMATION ONLY

 8851 SW OLD KANSAS AVE STUART, FL 34997 PHONE NO. (772)286-9300 FAX NO. (772)283-5286	UNLESS OTHERWISE SPECIFIED DIMENSIONS ARE IN INCHES	THESE DRAWINGS AND SPECIFICATIONS ARE THE PROPERTY OF EMC TECHNOLOGY INC AND SHALL NOT BE DUPLICATED OR USED AS BASIS FOR THE MANUFACTURE OR SALE OF PARTS OR DEVICES WITHOUT PERMISSION.					
	TOLERANCES	CAGE CODE	SCALE	DRAWN BY	CHECKED BY	APPROVED BY	
	FRACT --- -- ANG --- -- XX --- -- XXX ±0.005 XXXX --- --	24602	30:1	JG 7/7/08			
	REV	CHANGE NOTICE	DRAWING NO	SHEET			
	A	EN 08-E0534	1010285000	2 OF 2			