

TITLE: SPECIFICATION CONTROL DRAWING

PART IDENTIFIER: 12-250-T

DESCRIPTION: PILL TERMINATION

ASSEMBLY DWG: 1400204

1.0 SPECIFICATIONS:

1.1 ELECTRICAL:

- 1.1.1 IMPEDANCE: 50 OHMS NOMINAL.
- 1.1.2 FREQUENCY: DC-26.5 GHZ.
- 1.1.3 INPUT POWER (MAX @ 25°C): (DERATED LINEARLY TO ZERO POWER @ 150°C)
 - 1.1.3.1 AVERAGE: 1 WATT.
 - 1.1.3.2 PEAK: 100 WATTS FOR 100US PULSE WIDTH AND 0.1% DUTY CYCLE.
- 1.1.4 VSWR: 1.35 MAX.
- 1.1.5 SCHEMATIC: SEE SHEET 2, FIG. 2.

1.2 MECHANICAL:

- 1.2.1 OUTLINE DWG: SEE SHEET 2, FIGURE 1.
- 1.2.2 WORKMANSHIP: PER MIL-D-39030.

1.3 ENVIRONMENTAL:

- 1.3.1 TEMPERATURE RANGE:
 - 1.3.1.1 NON-OPERATING: -55°C TO +150°C.
 - 1.3.1.2 OPERATING: -55°C TO +150°C.

2.0 UNIT MARKING: "12-250-T AND EMCT"
LEGIBILITY AND PERMANENCY PER MIL-STD-130.

3.0 QUALITY ASSURANCE:

3.1 PERFORM INSPECTION IN ACCORDANCE WITH QA0006 AND FORM0357 FOR COMMERCIAL GRADE PRODUCT.

3.2 TEST DATA REQUIREMENTS:

- 3.2.1 NO TEST DATA REQUIRED FOR CUSTOMER.
- 3.2.2 DATA RETENTION – 24 MONTHS.

4.0 PACKAGING: STANDARD PACK PER MC0023.

ENG		PUR		MFG		PLAN		SM	
CC				QA					
EMC TECHNOLOGY, INC		CAGE CODE # 24602				DWG #	1004145000		
1971 OLD CUTHBERT ROAD		CHANGE NOTICE	EN 01-401			REV LVL	D		
CHERRY HILL, NJ 08034						SHEET	1 OF 2		

PART ID REF
12-250-T

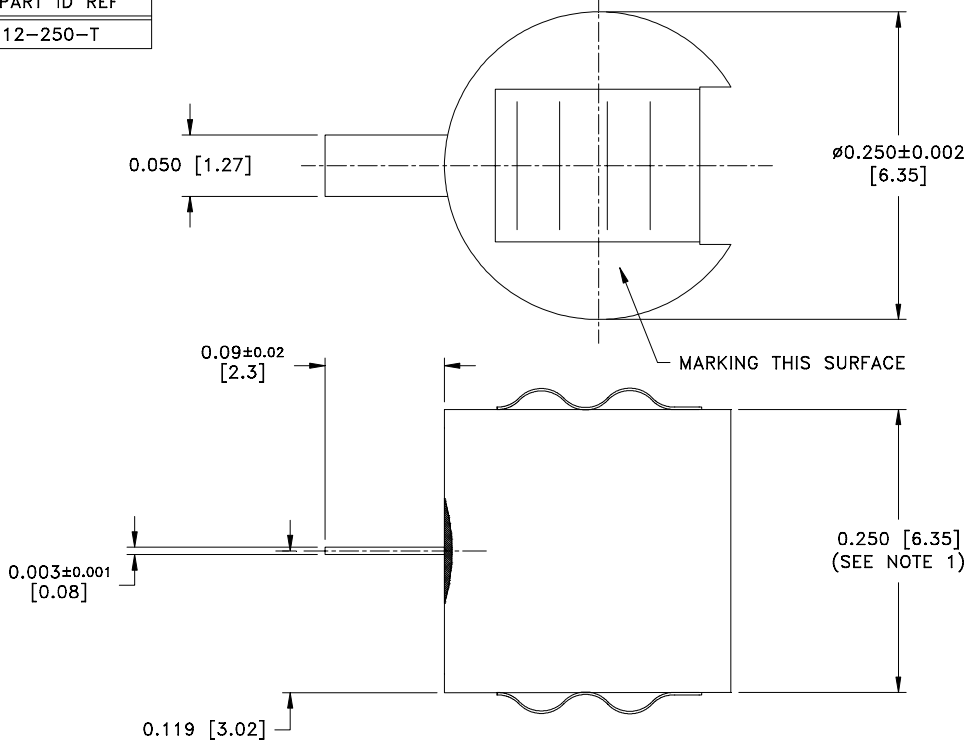
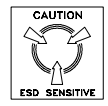


FIGURE 1

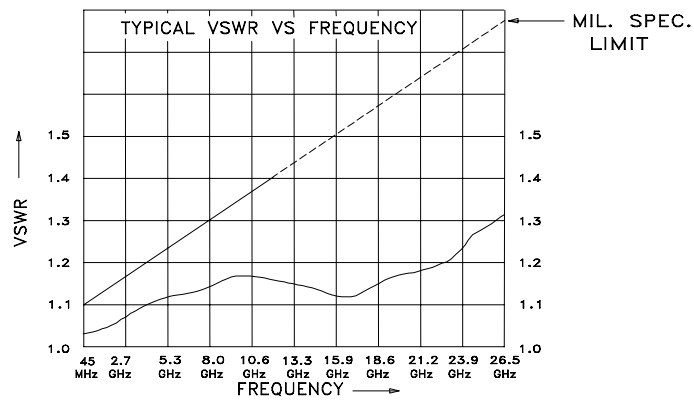
MECHANICAL SPECIFICATIONS:

- CASE:
MATERIAL - BRASS, ASTM B16.
FINISH - GOLD, MIL-G-45204, TYPE II, CLASS 1.
- TAB:
MATERIAL - BERYLLIUM COPPER, ASTM B197.
FINISH - GOLD, MIL-G-45204, TYPE II, CLASS 1.
- SPRING:
MATERIAL - BERYLLIUM COPPER, ASTM B194.
FINISH - GOLD, MIL-G-45204, TYPE II CLASS 1.
- CERAMIC:
MATERIAL - ALUMINA, MIL-I-10.

METRIC EQUIVALENTS GIVEN IN [mm]
FOR REFERENCE INFORMATION ONLY

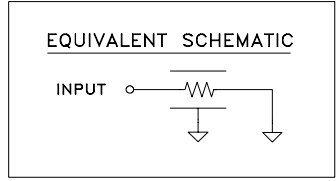


- NOTE:
1. MINIMUM EXPANDED SIZE - 0.265 [6.73].
MAXIMUM COMPRESSED SIZE - 0.246 [6.25]

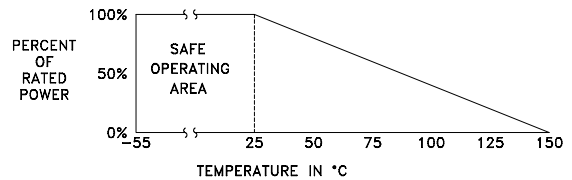


NOTE: EFFECTS OF TEST FIXTURE REMOVED USING T.D.R. GATING TECHNIQUES.
(MEASURED ON H.P. 8510 NETWORK ANALYZER)

FIGURE 2



POWER RATING AND DERATING



EMC TECHNOLOGY INC
1971 OLD CUTHBERT RD
CHERRY HILL NJ 08034
PHONE NO. (856) 429-7800
FAX NO. (856) 429-1807

UNLESS OTHERWISE SPECIFIED DIMENSIONS ARE IN INCHES TOLERANCES
FRACT --- ---
ANG --- ---
XX --- ---
XXX ±0.005
XXXX --- ---

THESE DRAWINGS AND SPECIFICATIONS ARE THE PROPERTY OF EMC TECHNOLOGY INC AND SHALL NOT BE DUPLICATED OR USED AS BASIS FOR THE MANUFACTURE OR SALE OF PARTS OR DEVICES WITHOUT PERMISSION.					
CAGE CODE	SCALE	DRAWN BY	CHECKED BY	APPROVED BY	
24602	1:1	CME 08/30/2001		DAR 9/4/01	
REV	CHANGE NOTICE	DRAWING NO	SHEET		
D	EN 01-401	1004145000	2 OF 2		