

# HIGH POWER ATTENUATOR CHIP 20 WATT



DATA SHEET

PART SERIES: HPCA54XX.00W1

SHEET 1 OF 2  
Dwg 1009135

EN 16-0840  
Revision A

## FEATURES

- Small Footprint
- High Power
- Surface Mount
- Low VSWR
- Easy Installation
- Wide Attenuation Offering

## APPLICATIONS

- Mobile Networks
- Broadcast
- High Power Amplifiers
- Isolators/Circulators
- Military
- Instrumentation



## GENERAL DESCRIPTION

EMC Technology offers the widest selection of chip attenuators worldwide. Chip components are offered in Alumina, Aluminum Nitride, Beryllium Oxide, and CVD diamond for maximum performance.

## ORDERING INFORMATION

**Part Identifier: HPCA54XX.00W1**  
(XX) – dB Value

## SPECIFICATIONS

### 1.0 ELECTRICAL

Nominal Impedance:	50 ohms
Frequency Range:	DC – 2.5 GHz
Attenuation Values Available:	1 – 20 in 1 dB increments
Attenuation Accuracy:	1 – 10 dB $\pm$ 0.5 dB 20 dB $\pm$ 1.0 dB
Input Power CW:	20 Watts full rated power to 125°C, derated linearly to 0 watts at 150°C.
Peak Power:	50 watts for 10us pulse width @ 1% duty cycle.
VSWR:	DC – 1 GHz - 1.15:1 1.1 – 2.5 GHz - 1.35:1

### 2.0 ENVIRONMENTAL

Operating Temperature:	-55°C to +150°C
Non-operating Temperature:	-65°C to +150°C

### 3.0 MARKING

Unit Marking:	“dB Value”
---------------	------------

### 4.0 QUALITY ASSURANCE

**Sample Inspect Per MIL-STD-105, Level II, 1.0% AQL<sub>L</sub>**  
Visual and Mechanical Inspection for Conformance to Outline Drawing  
Measure Attenuation and VSWR  
Data Retention - Standard

### 5.0 PACKAGING

Standard Packaging:	Tape and Reel
---------------------	---------------

# HIGH POWER ATTENUATOR CHIP 20 WATT



DATA SHEET

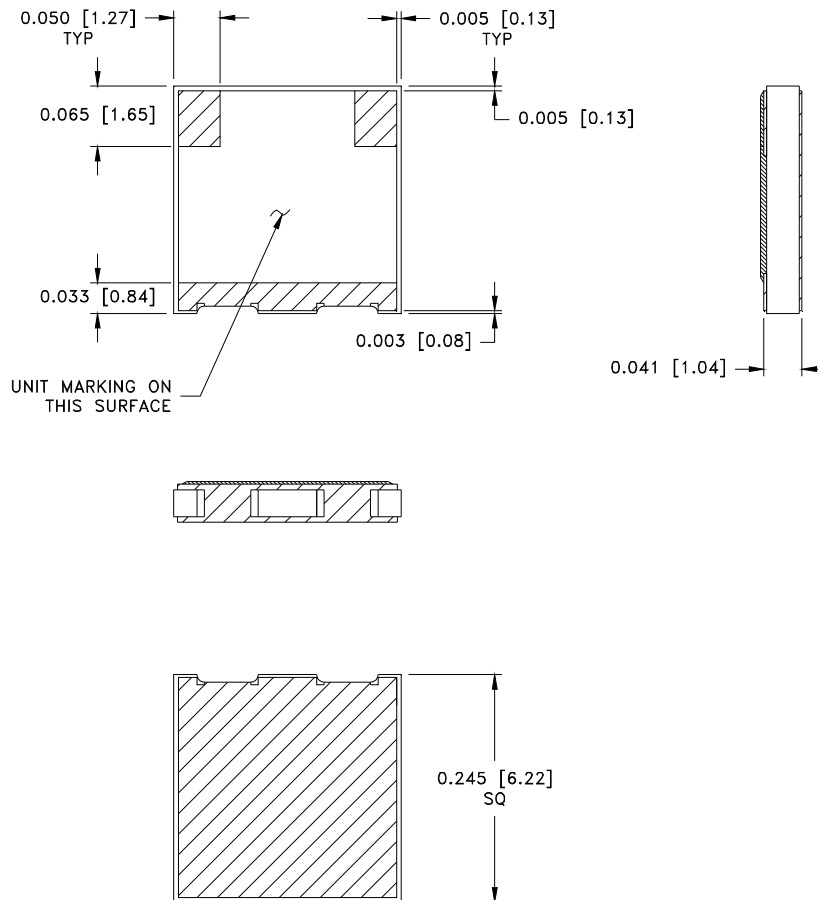
PART SERIES: HPCA54XX.00W1

SHEET 2 OF 2  
Dwg 1009135

EN 16-0840  
Revision A

## 6.0 MECHANICAL

Substrate:	Beryllia
Resistive Film:	Thick Film
Terminal Material:	Thick Film, Nickel Barrier, Solder Plated
Metric Dimensions:	Provided for reference only
Workmanship	PER MIL-R-55342



Unless Otherwise Specified: TOLERANCE: X.XXX = ± 0.005