

# ATTENUATOR FLANGE MOUNT 250 WATT



DATA SHEET

PART SERIES: 33-1042-30.00

SHEET 1 OF 2  
Dwg 33-1042-30.00

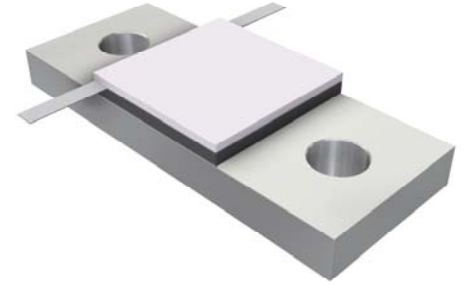
EN 13-3529  
Revision-

## FEATURES

- Tab Launch
- High Power
- Integrated Heat Sink
- Low VSWR
- Easy Installation

## APPLICATIONS

- Mobile Networks
- Broadcast
- High Power Amplifiers
- Isolators
- Military
- Instrumentation



## GENERAL DESCRIPTION

EMC Technology offers the widest selection of flange mount attenuators worldwide. High power flange components offer excellent performance and the convenience of bolt on installation.

## ORDERING INFORMATION

### Part Identifier:

33-1042-30.00

Attenuation Value

## SPECIFICATIONS

### 1.0 ELECTRICAL

Nominal Impedance:	50 ohms
Frequency Range:	DC - 1.0 GHz
Attenuation Values Available:	30 dB
Attenuation Accuracy:	± 1.0 dB
Input Power CW:	250 watts @ 100°C heat sink, derated linearly to zero power at 150°C
Peak Power:	2500 watts (based on 10us pulse width and 1% duty cycle)
VSWR:	1.25:1 Max

### 2.0 ENVIRONMENTAL

Operating Temperature:	-55°C to +150°C
Non-operating Temperature:	-65°C to +150°C
Temperature Coefficient:	+/-200 PPM / °C max

### 3.0 MARKING

Unit Marking: In/Out, Logo, and Attenuation value, legibility and permanency per MIL-STD-130

### 4.0 QUALITY ASSURANCE

Sample Inspect Per MIL-STD-105, Level II, 1.0% AQL.

Visual and Mechanical Examination for Conformance To Outline Drawing Requirements.

Measure Attenuation and VSWR

Data Retention – Standard

### 5.0 PACKAGING

Standard Packaging: Tray

# ATTENUATOR FLANGE MOUNT 250 WATT



DATA SHEET

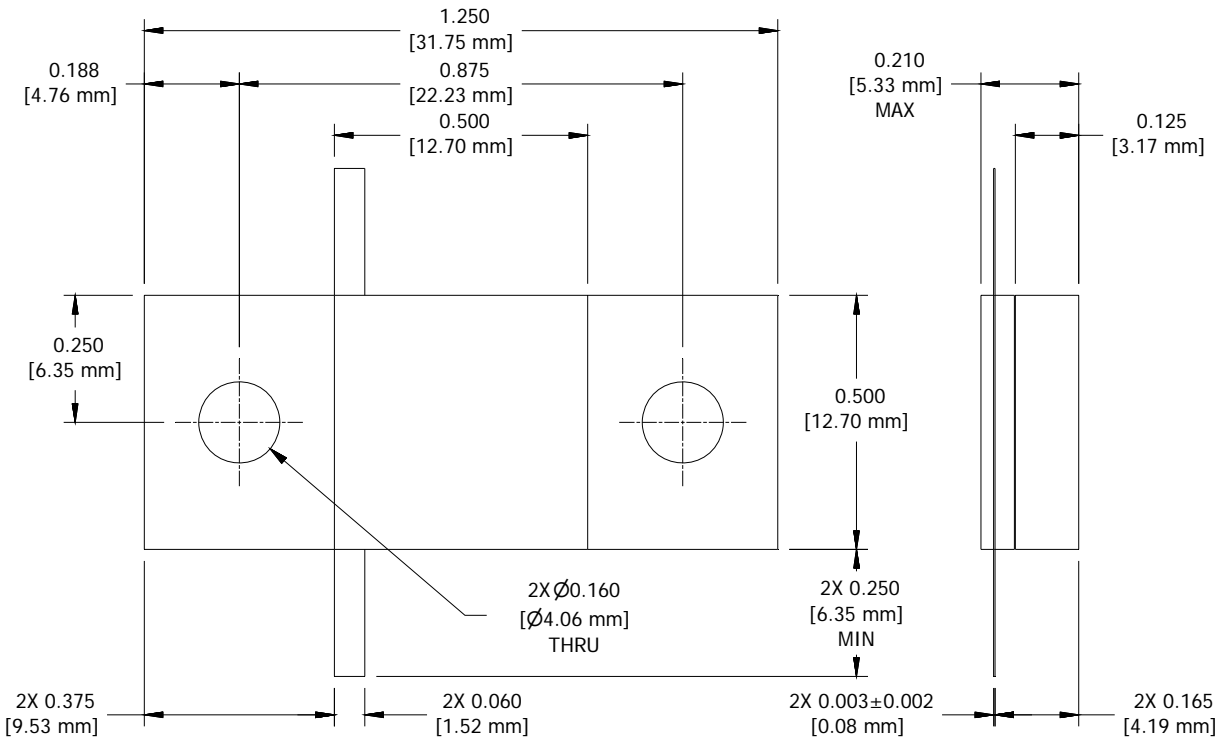
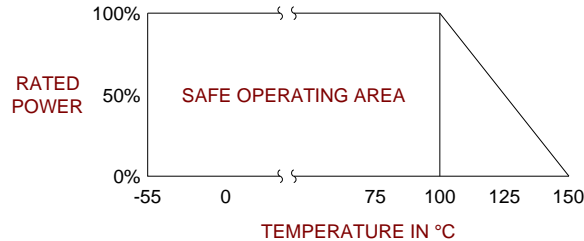
PART SERIES: 33-1042-30.00

SHEET 1 OF 2  
Dwg 33-1042-30.00

EN 13-3529  
Revision-

## 6.0 MECHANICAL

Substrate Material:	Beryllium Oxide
Resistive Film:	Thin Film
Cover Material:	Alumina Oxide
Tab Material:	Beryllium Copper
Tab Finish:	Tin/Lead
Flange Material:	Copper
Flange Finish:	Nickel
Metric Dimensions:	Provided for reference only



Unless Otherwise Specified: TOLERANCE: X.XX = ± 0.02 X.XXX = ± 0.010