

ATTENUATOR TEMPERATURE VARIABLE



DATA SHEET

PART SERIES: MTVA0X00XXXG

SHEET 2 OF 2
Dwg 1007895

EN 16-0736
Revision Y

-55°C to +125°C; Calculate using linear regression, the slope of the curve.

Calculate TCA using the following formula:

$$TCA = \frac{\text{Slope}}{\text{Attenuation @ 25}^\circ\text{C}}$$

Inspection in accordance with 824W107

Test Data Requirements:

No Data Required for Customer

Data Retention – 24 Months

5.0 PACKAGING

Standard:

Tape & Reel

6.0 MECHANICAL

Substrate Material:

Alumina, 96% MIL-I-10

Terminal Material:

Thick Film, Bondable Gold

Workmanship

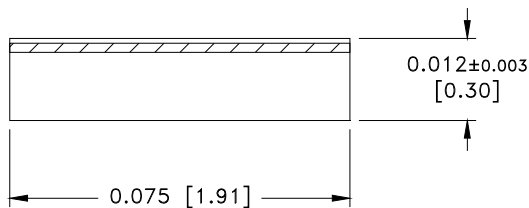
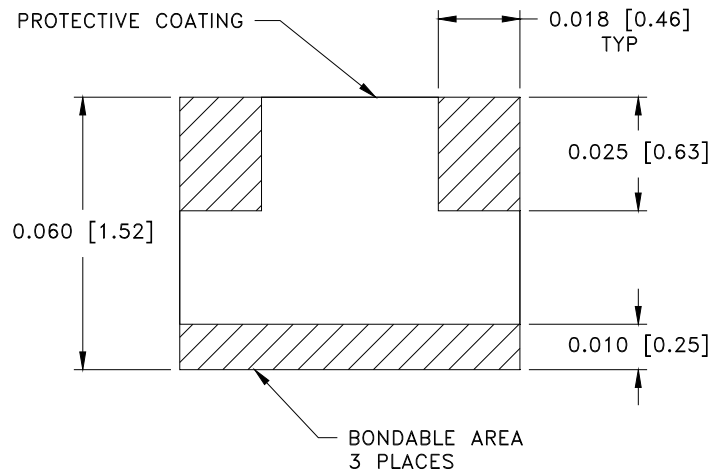
Per MIL-PRF-55342

Resistive Element:

Thick Film

Metric Dimensions:

Provided for reference only



Unless Otherwise Specified: TOLERANCE: X.XXX = ± 0.005