

RESISTOR CHIP 20 WATT



DATA SHEET

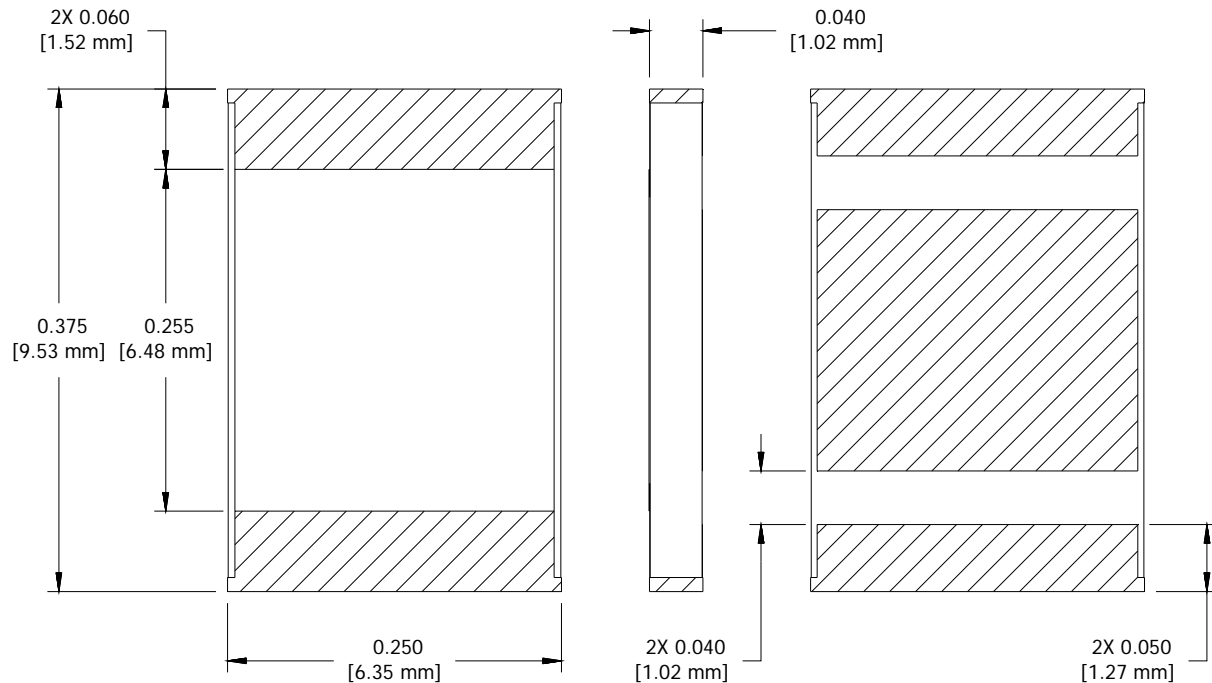
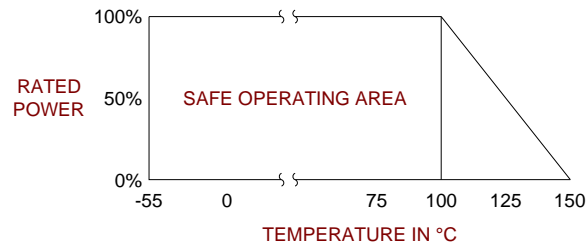
PART SERIES: 81-7042-X-X

SHEET 2 OF 2
Dwg 81-7042

EN 13-3509
Revision-

6.0 MECHANICAL

Substrate Material:	Aluminum Nitride
Resistive Film:	Thin Film
Terminal Material:	Thick film, Nickel barrier Tin/Lead plated
Metric Dimensions:	Provided for reference only



Unless Otherwise Specified: TOLERANCE: X.XX = ± 0.02 X.XXX = ± 0.010