

# Size 16 Low Loss Floating Fiber Optic CP 29504/4 Pin Termini

For Use in MIL-DTL-38999 Series III Cylindrical Connectors



# Size 16 Low Loss Floating Fiber Optic CP 29504/4 Pin Termini

- New Low Loss Floating Design (< -0.5dB)
- Vibration resistant
- Precision floating ceramic ferrules
- Stainless steel terminus body

The Size 16 floating fiber optic pin termini is an innovative product suited for a wide variety of applications and markets. Smiths Interconnect's new fiber optic termini provide exceptional low loss characteristics with high reliability and repeatability.

They are designed to fit available formats of standard off the shelf electrical MIL-DTL-38999 cylindrical connectors (i.e D38999/20 & /26). They eliminate the need for using costly tight tolerance and hard to locate D38999/60 & /61 connectors thus lowering the overall cost of ownership.

The floating pin termini will self align into standard connector formats thus improving the fiber optic pin to socket alignment and resulting in improved insertion loss performance with a 0.006" radial and 3.25 degree angular misalignment. The floating mechanism helps to ensure precision alignment of the fiber ferrules in extreme environmental conditions of shock and vibration.

The floating pin termini is designed for ease of assembly, field replaceable and both completely interchangeable and comparable in cost to standard M29504/4 Termini (without the built in floating low loss mechanism). The precise hole diameter and alignment features built into the ferrule and contact design provide a repeatable low loss connection suited for a wide variety of single and multi-mode fiber optic cables.

The terminus is available with a Zirconia ferrule for single and multi-mode applications.



## Properties

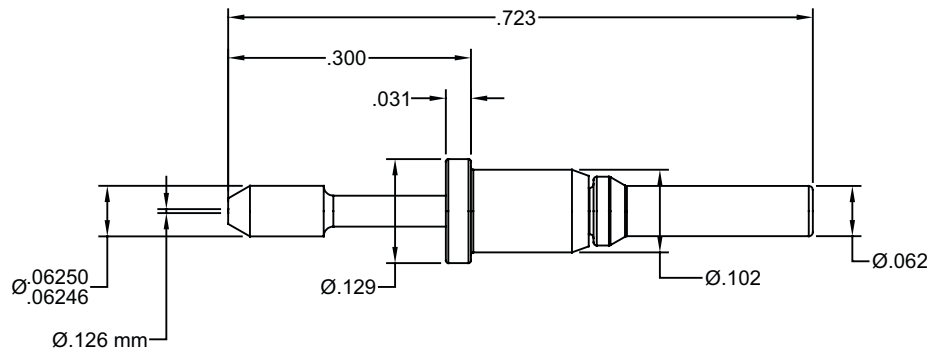
<b>Standard</b>	The floating termini meets or exceeds all applicable requirements of Mil-PRF-29504/4 Pin termini
<b>Materials: Ferrules Body</b>	Zirconia 300 Series Stainless Steel
<b>Standard</b>	Contact meets requirements of MIL-PRF-29504/4
<b>Ferrule to Body Float</b>	0.006 Radial and 3.25° Angular
<b>Operating Temperatures</b>	-65° + 150C°, depending on chosen fiber optic cable
<b>Insertion Loss</b>	<-0.5 dB (Mated Pair) <-0.25 (Typ - Mated Pair)

# Size 16 Fiber Optic Termini

## Low Loss and Standard

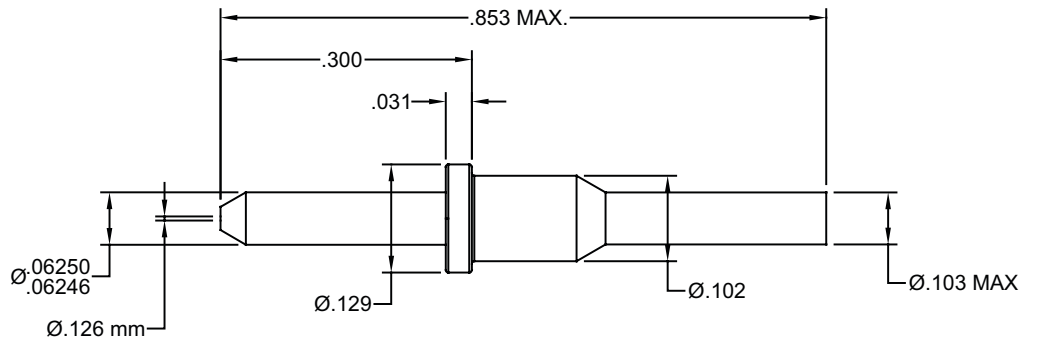
### Low Loss MIL-DTL-38999 Size 16 Pin Terminus Conforming to CP29504/4

Part Number
238500-8019



### Standard MIL-DTL-38999 Size 16 Pin Terminus Conforming to CP29504/4

Part Number
238533-8006



# Global Support

## Americas

- Kansas City, KS  
+1 913 342 5544  
info.us@smithsinterconnect.com
- Tampa, FL  
+ 1 813 901 7200  
info.tampa@smithsinterconnectinc.com
- Milpitas, CA  
+1 408 957 9607 x-1125  
info.us@smithsinterconnect.com
- Kirkland, QC, Canada  
+1 514 842 5179  
info.us@smithsinterconnect.com
- Salisbury, MD  
+1 800 780 2169  
info.us@smithsinterconnect.com

## Europe

- Deggendorf, Germany  
+49 991 250 120  
info.de@smithsinterconnect.com
- Rouen, France  
+33 2 3296 9176  
info.fr@smithsinterconnect.com
- Dundee, UK  
+44 1382 427 200  
info.dundee@smithsinterconnect.com
- Genova, Italy  
+39 0 10 60361  
info.it@smithsinterconnect.com

## Asia

- Bangalore, India  
+91 080 4241 0529  
info.in@smithsinterconnect.com
- Singapore  
+65 6846 1655  
info.asia@smithsinterconnect.com
- Mianyang, China  
+86 816 231 5566  
HSICSR@hf-smiths.com
- Suzhou, China  
+86 512 6273 1188  
info.asia@smithsinterconnect.com
- Shanghai, China  
+86 21 2283 8008  
info.asia@smithsinterconnect.com

more > [smithsinterconnect.com](https://www.smithsinterconnect.com) | [in](#) [twitter](#) [youtube](#)